

Type KVH-HT

Quick-Closing Turbine-Valve for Gaseous Media Electro-Pneumatic Operated

Edition: 05.18

Subject to change without notice

APPLICATION AREA

- > Gas Turbines for the petroleum, chemical and gas industry service acc. to API 616
- > Gas firing systems on steam boilers acc. to DIN EN12952/12953
- > Industrial thermoprocessing equipment acc. to DIN EN 746

ADVANTAGE

- > Closing time 1 sec
- > High safety level through zero leakage
- > Heavy duty design for high operating cycles
- > High performance valve design for long service life



safe and reliable

Type KVH-HT

Quick-Closing Turbine-Valve for Gaseous Media Electro-Pneumatic Operated



DN 3"-12" ANSI 300 lbs

APPLICATION

- > Automatic operated emergency shutdown device
- > In gas pipes systems in front of gas turbines
- > Automatic shut-off valve in piping systems

TECHNICAL DATA

- > Single-seated straight-through globe valve acc. to ANSI standard
- > Stem sealing acc. to TA-Luft, automatic seal set and connection for tightness test
- > Exchangeable plug gasket
- > Maintenance-free guide bushing
- > Piston actuator with integrated closing springs
- > Control element pressure-balanced to allow higher pressure

CERTIFICATES

EC-Type examination (Modul B)

acc. to directive 2014/68/EU

EC- Type examination certificate

with product-identnumber

acc. to gas appliance regulation EU/2016/426

based on:

DIN EN 13611 / DIN EN 161 / DIN EN 16678

Certificate: > SIL2 / EN 61508

OPERATING DATA

Media:	> Gaseous fuels acc. to PED 2014/68/EU > Fuels acc. to G260; gas group 1., 2. and 3 > Other gaseous media
Operating pressure:	Max. 50 bar g
Operating temperature:	-29 to 225 °C
Ambient temperature:	-29 to 80 °C
Control medium:	Compressed air at 4-10 bar g
Air quality:	acc. to DIN ISO 8573-1
Control voltage:	230 V, 50 Hz, 24 V DC
Power:	5.3 VA / 3.9 W
IP Protection Class:	IP 66
Mounting position:	no restriction
Mounting location:	Indoor/Outdoor

OPTION

- > Quick-closing valve with integrated control characteristic for soft opening
- > Combination with electro-pneumatic positioner for selective flow control

safe and reliable

Type KVH-HT

Quick-Closing Turbine-Valve for Gaseous Media Electro-Pneumatic Operated



DN 3"-12" ANSI 300 lbs

DIMENSIONS

ANSI	mm						kg W.
	L	D	H	H ₁	H ₂	H ₃	
3"	318	315	600	180	120	230	100
4"	356	315	670	250	180	275	125
6"	444	315	725	250	180	330	180
8"	559	370	825	250	180	390	275
10"	622	440	875	250	180	445	450
12"	711	440	935	250	180	490	600

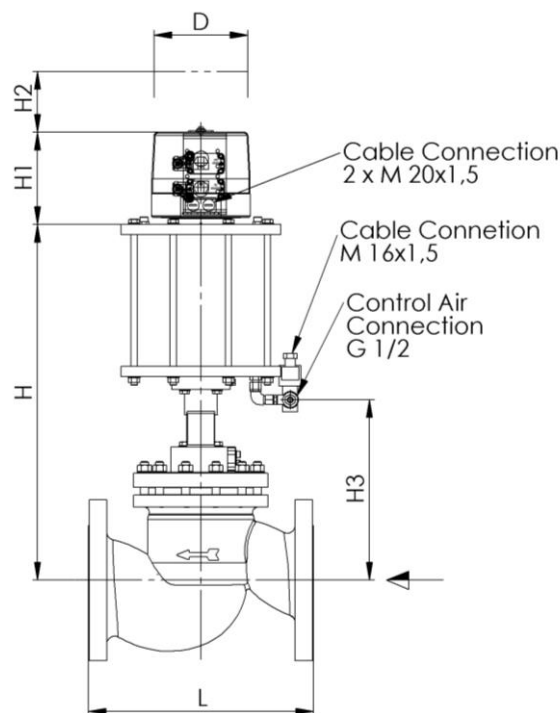
Flange dimensions acc. to ASME B16.5

PARAMETER

Nominal diameter DN	3"	4"	6"	8"	10"	12"
Max. Service pressure (PS) in bar g	50	50	50	50	50	50
Rating ANSI Class	300	300	300	300	300	300
K _{vs} - value m ³ /h (max.)	114	193	403	716	1087	1460
Closing time	< 1 second					

ACCESSORIES*

QTY	Accessories
1	Quick venting valve
1	3/2-way solenoid valve, directly actuated, pressure 0 to 8 bar
2	Limit switch as mechanical cam switch or proximity switch
1	Protection cover, transparent, for limit switch and optical position indication



MATERIALS*

Body:	A 216 WCB
Valve seat:	cladded with 1.4551
Plug gasket:	PTFE
Stem:	1.4021
Actuator:	Steel/Aluminium
Piston sealing:	Elastomer

* Other materials and accessories are available on request.