

Type KVII/F

Quick-Closing Valve for Gaseous Media Electro-Pneumatic Operated

Edition: 05.18

Subject to change without notice

APPLICATION AREA

- > Gas firing systems on steam boilers
acc. to DIN EN12952/12953
- > Pipe systems for fluids and gaseous media
for all industrial sectors

ADVANTAGE

- > Closing time < 1 sec
- > High safety level through zero leakage
- > Heavy duty design for high operating cycles
- > High performance valve design for long service life



safe and reliable

Type KVII/F

Quick-Closing Valve for Gaseous Media Electro-Pneumatic Operated



DN 2½"-12" ANSI 300 lbs

APPLICATION

- > Automatic operated emergency shutdown device
- > In gas pipes in front of burner
acc. to DIN EN12952/12953
- > Safety and control device for gas burner
- > Automatic shut-off valve in piping systems

TECHNICAL DATA

- > Single-seated straight-through globe valve
acc. to ANSI standard
- > Stem sealing acc. to TA-Luft,
stainless steel bellow with additional lip seal and
connection for tightness test
- > Exchangeable plug gasket
- > Maintenance-free guide bushing
- > Additional sealing force generated through primary
pressure loaded onto the valve plug
- > Piston actuator with integrated closing spring

CERTIFICATES

EC-Type examination (Modul B)

acc. to directive 2014/68/EU

EC- Type examination certificate

with product-identnumber

acc. to gas appliance regulation EU/2016/426

based on:

DIN EN 13611 / DIN EN 161 / DIN EN 16678

- Certificate:**
- > TA-Luft
DIN EN ISO 15848-1
VDI 2440
 - > SIL2 / EN 61508
 - > Fire-safe
DIN EN ISO 10497 / API 607

OPERATING DATA

- Media:**
- > Gaseous fuels
acc. to PED 2014/68/EU
 - > Fuels acc. to G260;
gas group 1., 2. and 3
 - > Other gaseous media
- Operating pressure:** Max. 12 bar g
- Operating temperature:** -29 to 180 °C
- Ambient temperature:** -29 to 80 °C
- Control medium:** Compressed air at 4-8 bar g
- Air quality:** acc. to DIN ISO 8573-1
- Control voltage:** 230 V, 50 Hz, 24 V DC
- Power:** 10.6 VA / 6.8 W
- IP Protection Class:** IP 65
- Mounting position:** no restriction
- Mounting location:** Indoor/Outdoor

OPTION

- > Quick-closing valve with integrated control
characteristic for soft opening
- > Combination with electro-pneumatic positioner for
selective flow control

REMARKS

Acc. to DIN EN12952/12953 it is advised to install strainer
in front of shut off valve. (Kühme SF / SFY)

safe and reliable

Type KVII/F

Quick-Closing Valve for Gaseous Media Electro-Pneumatic Operated

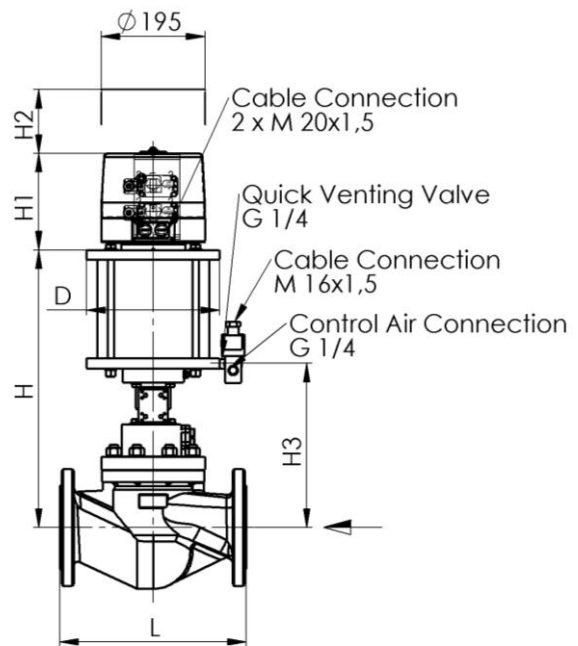


DN 2½"-12" ANSI 300 lbs

DIMENSIONS

ANSI	bar g	Ø Actuator	mm						kg Weight
	max. Operating pressure*		L	D	H	H ₁	H ₂	H ₃	
2½	8,0	150	292	200	520	180	120	307	46
2½	12,0	200	292	250	520	180	120	307	46
3	5,0	150	318	200	525	180	120	310	55
3	12,0	200	318	250	525	180	120	310	55
4	3,0	150	356	200	525	180	120	315	70
4	12,0	200	356	250	525	180	120	315	70
6	1	150	444	200	660	250	180	400	100
6	3,5	200	444	250	660	250	180	400	100
6	6	250	444	315	660	250	180	400	100
8	1,5	200	559	250	745	250	180	420	170
8	3,5	250	559	315	745	250	180	420	170
8	6	300	559	370	745	250	180	420	170
10	2	250	622	315	870	250	180	535	290
10	3	300	622	370	870	250	180	535	290
12	1,25	250	711	315	890	250	180	555	450
12	2	300	711	370	890	250	180	555	450

* Max. Functional pressure with compressed air 4 bar g;
Flange dimensions acc. to ASME B16.5



PARAMETER

Nominal diameter DN	2½	3	4	6	8	10	12
Max. Service pressure (PS) in bar g	12	12	12	6	6	3	2
Rating ANSI Class	300	300	300	300	300	300	300
K _{vs} - value m ³ /h (max.)	77	114	193	403	716	1087	1460
Closing time	< 1 Second						

ACCESSORIES*

QTY	Accessories
1	Quick venting valve
1	3/2-way solenoid valve, directly actuated, pressure 0 to 8 bar
2	Limit switch as mechanical cam switch or proximity switch
1	Protection cover, transparent, for limit switch and optical position indication

MATERIALS*

Body:	A 216 WCB
Valve seat:	cladded with 1.4551
Plug gasket:	Elastomer
Bellow:	1.4541
Stem:	1.4021
Actuator:	Steel/Aluminium
Sealing Parts:	Elastomer

* Other materials and accessories are available on request.

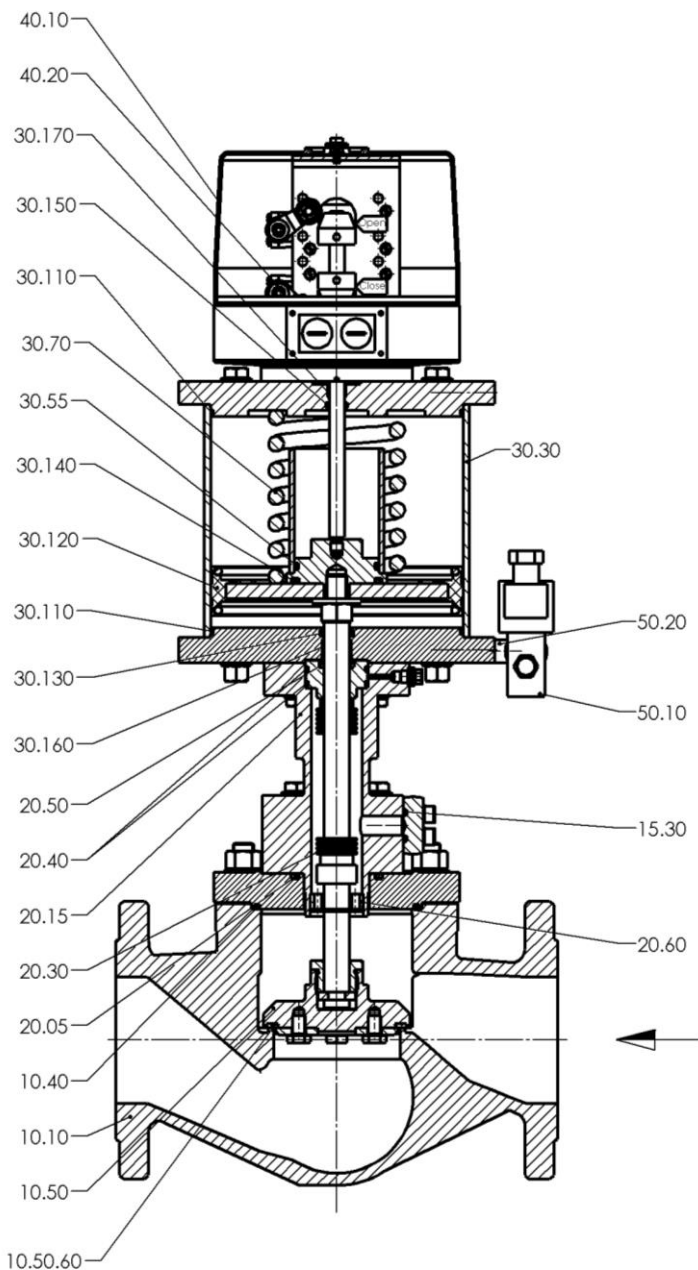
safe and reliable

Type KVII/F

Quick-Closing Valve for Gaseous Media Electro-Pneumatic Operated



DN 2½"-12" ANSI 300 lbs



	10.10	Body
*	10.40	O-Ring
	10.50	Plug
*	10.50.60	Plug gasket
*	15.30	O-Ring
*	20.05	O-Ring
	20.15	Bonnet
*	20.30	Stem with bellow
*	20.40	O-Ring
*	20.50	Lip seal
	20.60	Guide bushing
	30.30	Piston tube
*	30.55	O-Ring
*	30.70	Compression spring
*	30.110	O-Ring
*	30.120	T-DUO Sleeve
*	30.130	O-Ring
*	30.140	O-Ring
*	30.150	O-Ring
	30.160	DU-Bushing
	30.170	DU-Bushing
*	40.10	Protection cover
*	40.20	Limit switch
*	50.10	3/2-way solenoid valve
*	50.20	Quick Venting Valve
*		Spares